

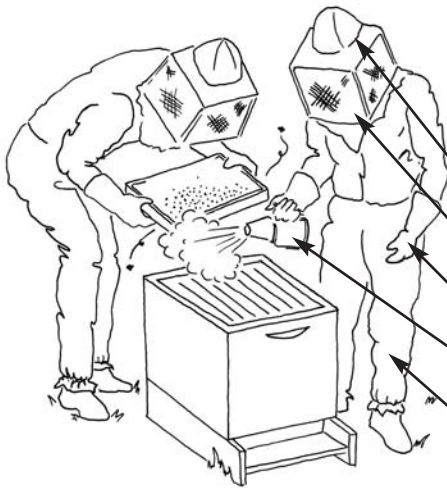
Name _____ Date _____



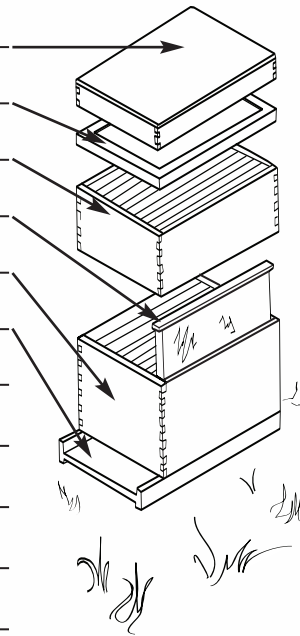
A Beekeeper's Equipment

Modern beekeeping hives consist of wooden box-like sections stacked on top of each other. Each box holds 8-10 wooden frames, and each frame contains a thin sheet of wax foundation. The bees build their combs on these foundations. Honey is stored in the combs in the upper parts of the hive. When the bees have filled the combs in this upper section with honey and covered them with wax caps, the beekeeper takes them away to extract the honey and sell the wax for many products.

Using the "Glossary of Hive Elements and Beekeeper's Tools," label the following drawings.



1. _____
2. _____
3. _____
4. _____
5. _____
6. _____
7. _____
8. _____
9. _____
10. _____
11. _____



Glossary of Hive Elements and Beekeeper's Tools

Bottom board—wooden stand on which the hive rests; is usually set on blocks or bricks to keep it off the ground.

Coveralls—light colored suit with elastic at the ankles and wrists.

Frame—a wood and/or plastic rectangle used to hold beeswax comb.

Gloves—protect hands from stings.

Helmet—used to drape the veil and to protect the head.

Hive body or brood chamber—a large wooden box found just above the bottom board.

Honey super—frames of comb in which bees store surplus honey that is then harvested.

Inner cover—may be used to prevent bees from attaching comb to outer cover and provides insulating air space.

Outer cover—provides weather protection.

Smoker—a tool used to calm the bees; the smoke masks the bees' alarm pheromone and when bees smell smoke, they gorge themselves on honey and are less likely to sting. Pine, straw, grass and burlap make good smoker fuel.

Veil—a fine fabric or screen worn to protect the face and neck.